

RS Ex seal



EN The Roxtec RS Ex is a round entry seal including a sleeve. The seal consists of two halves and an adaptable centre with removable layers. Compression is integrated in the seal.

- The sleeves are available in two design versions intended for welding or bolting into place.
- Available in EMC versions.

ES El RS Ex de Roxtec es un sello redondo que incluye un collarín. El sello está compuesto por dos mitades y un centro adaptable con capas desmontables. La compresión está integrada en el sello.

- Los collarines están disponibles en dos versiones con adhesión por atornilladura o soldadura.
- Disponible en versiones EMC.

FR La bague circulaire RS Ex de Roxtec comprend une douille. La bague se compose de deux moitiés et d'un centre adaptable constitué de couches pelables. L'unité de compression est intégrée à la bague.

- Les douilles sont disponibles en deux versions pour des installations soudées ou boulonnées.
- Existe aussi en versions CEM.

IT Roxtec RS Ex è un passaggio per ingresso circolare comprensivo di manicotto. La guarnizione è composta da due metà e da una parte centrale adattabile con strati rimovibili. La compressione è integrata nella guarnizione.

- I manicotti sono disponibili in 2 versioni diverse, destinate alla saldatura o alla bullonatura.
- Disponibile nelle versioni EMC.

DE Der Roxtec RS Ex ist eine runde Durchführung mit Mantelrohr. Die Dichtung besteht aus zwei Hälften mit herausnehmbaren Lagen. Die Kompressionseinheit ist in die Dichtung integriert.

- Das Mantelrohr ist in zwei Ausführungen erhältlich: zum Einschweißen oder Anschrauben.
- Erhältlich in EMC-Versionen.

RS...W Ex including sleeve for welding

Bague RS...W Ex avec douille pour installations soudées » RS ...W Ex, inkl. Mantelrohr zum Einschweißen »
 RS...W Ex incl. collarín para soldar »
 Passaggio circolare RS, parti in acciaio inox resistente agli acidi, con nucleo per applicazioni a saldare



RS 100 W Ex AISI 316 woc/primed**
EXRSW0100102112

RS 75 W Ex AISI 316/AISI 316
EXRSW0750102121

For information about other sizes that are not standard, please contact your local Roxtec supplier or e-mail: info@roxtec.com

Cert. No: IECEx NEM 12.0015U, Nemko 12ATEX1279U ATEX: II 2G Ex e IIC Gb / II 2D Ex tb IIIC Db, IP Class: 66/68, Temp: -60 — +80°C

FR	Bague	Pour câble/tuyauterie (mm) (pouces)		Dimensions extérieures ØxD (mm) ØxD (pouces)		Poids (kg) (lb)		N° d'article	
	DE	Für Kabel/Rohr (mm) (in.)		Außenmaße ØxD (mm) ØxD (in.)		Gewicht (kg) (lb)		Art.-Nr.	
ES	Sello	Para cable/tubería (mm) (pulgadas)		Dim. externas ØxD (mm) ØxD (pulgadas)		Peso (kg) (libra)		N° art.	
IT	Passaggio circolare	(mm)	(in)	ØxD (mm)	ØxD (in)	(kg)	(lb)	Art. Nr.	
EN	Seal	For cable/pipe (mm) (in)		External dimensions ØxD (mm) ØxD (in)		Sleeve SLRS*	Weight (kg) (lb)		Art. No.
		with primed mild steel sleeve							
	RS 25 W Ex AISI 316/primed	0+3.6-12	0+0.142-0.472	25 x 40	0.984 x 1.575	25	0.1	0.306	EXRSW0250002112
	RS 43 W Ex AISI 316/primed	0+4-23	0+0.157-0.906	43 x 78	1.693 x 3.071	43	0.5	1.203	EXRSW0430002112
	RS 50 W Ex AISI 316/primed	0+8-30	0+0.315-1.181	50 x 78	1.969 x 3.071	50	0.8	1.840	EXRSW0500002112
	RS 75 W Ex AISI 316/primed	0+26-48	0+1.024-1.890	75 x 78	2.953 x 3.071	75	1.5	3.359	EXRSW0750002112
	RS 100 W Ex AISI 316 woc**/primed	48-70	1.890-2.756	100 x 83	3.937 x 3.268	100	2.0	4.504	EXRSW0100102112
	RS 125 W Ex AISI 316 woc**/primed	66-98	2.598-3.858	125 x 83	4.921 x 3.268	125	2.7	6.025	EXRSW0125102112
	RS 150 W Ex AISI 316 woc**/primed	93-119	3.661-4.685	150 x 85	5.906 x 3.346	150	3.2	7.012	EXRSW0150102112
	with acid-proof stainless steel sleeve								
	RS 25 W Ex AISI 316/AISI 316	0+3.6-12	0+0.142-0.472	25 x 40	0.984 x 1.575	25	0.1	0.306	EXRSW0250002121
	RS 43 W Ex AISI 316/AISI 316	0+4-23	0+0.157-0.906	43 x 78	1.693 x 3.071	43	0.5	1.203	EXRSW0430102121
	RS 50 W Ex AISI 316/AISI 316	0+8-30	0+0.315-1.181	50 x 78	1.969 x 3.071	50	0.8	1.840	EXRSW0500002121
	RS 75 W Ex AISI 316/AISI 316	0+26-48	0+1.024-1.890	75 x 78	2.953 x 3.071	75	1.5	3.359	EXRSW0750102121
	RS 100 W Ex AISI 316 woc**/AISI 316	48-70	1.890-2.756	100 x 83	3.937 x 3.268	100	2.0	4.504	EXRSW0100102121
	RS 125 W Ex AISI 316 woc**/AISI 316	66-98	2.598-3.858	125 x 83	4.921 x 3.268	125	2.7	6.025	EXRSW0125102121
	RS 150 W Ex AISI 316 woc**/AISI 316	93-119	3.661-4.685	150 x 85	5.906 x 3.346	150	3.2	7.012	EXRSW0150102121

* More information about SLRS sleeves on page 73

** woc = without core

RS...B Ex including sleeve for bolting

Bague RS...B Ex avec douille pour installations boulonnées » RS ...B Ex, inkl. Mantelrohr zum Aufschrauben » RS...B Ex incl. collarín para atornillar »

Passaggio circolare RS, parti in acciaio inox resistente agli acidi, con nucleo per applicazioni ad imbullonare



RS 100 B Ex AISI 316 woc/primed**
EXRSB0100102112

RS 75 B Ex AISI 316/AISI 316
EXRSB0750002121

For information about other sizes that are not standard, please contact your local Roxtec supplier or e-mail: info@roxtec.com

Cert. No: IECEx NEM 12.0014X, Nemko 12ATEX1278X ATEX: II 2G Ex e IIC Gb / II 2D Ex tb IIIC Db, IP Class: 66/68, Temp: -60 — +80°C

FR	Bague	Pour câble/tuyauterie (mm) (pouces)		Dimensions extérieures ØxD (mm) ØxD (pouces)		Poids (kg) (lb)		N° d'article
	DE	Für Kabel/Rohr (mm) (in.)		Außenmaße ØxD (mm) ØxD (in.)		Gewicht (kg) (lb)		Art.-Nr.
ES	Sello	Para cable/tubería (mm) (pulgadas)		Dim. externas ØxD (mm) ØxD (pulgadas)		Peso (kg) (libra)		N° art.
IT	Passaggio circolare	Per cavo/tubo (mm) (in)		Dimensioni esterne ØxD (mm) ØxD (in)		Peso (kg) (lb)		Art. Nr.
EN	Seal	For cable/pipe (mm) (in)		External dimensions ØxD (mm) ØxD (in)		Sleeve SLFRS*	Weight (kg) (lb)	Art. No.
	with primed mild steel sleeve							
	RS 25 B Ex AISI 316/primed	0+3.6-12	0+0.142-0.472	25 x 40	0.984 x 1.575	25	0.1 0.306	EXRSB0250002112
	RS 43 B Ex AISI 316/primed	0+4-23	0+0.157-0.906	43 x 78	1.693 x 3.071	43	0.5 1.203	EXRSB0430002112
	RS 50 B Ex AISI 316/primed	0+8-30	0+0.315-1.181	50 x 78	1.969 x 3.071	50	0.8 1.840	EXRSB0500002112
	RS 75 B Ex AISI 316/primed	0+26-48	0+1.024-1.890	75 x 78	2.953 x 3.071	75	1.5 3.359	EXRSB0750002112
	RS 100 B Ex AISI 316 woc**/primed	48-70	1.890-2.756	100 x 83	3.937 x 3.268	100	2.0 4.504	EXRSB0100002112
	RS 125 B Ex AISI 316 woc**/primed	66-98	2.598-3.858	125 x 83	4.921 x 3.268	125	2.7 6.025	EXRSB0125102112
	RS 150 B Ex AISI 316 woc**/primed	93-119	3.661-4.685	150 x 85	5.906 x 3.346	150	3.2 7.012	EXRSB0150102112
	with acid-proof stainless steel sleeve							
	RS 25 B Ex AISI 316/AISI 316	0+3.6-12	0+0.142-0.472	25 x 40	0.984 x 1.575	25	0.1 0.306	EXRSB0250002121
	RS 43 B Ex AISI 316/AISI 316	0+4-23	0+0.157-0.906	43 x 78	1.693 x 3.071	43	0.5 1.203	EXRSB0430002121
	RS 50 B Ex AISI 316/AISI 316	0+8-30	0+0.315-1.181	50 x 78	1.969 x 3.071	50	0.8 1.840	EXRSB0500002121
	RS 75 B Ex AISI 316/AISI 316	0+26-48	0+1.024-1.890	75 x 78	2.953 x 3.071	75	1.5 3.359	EXRSB0750002121
	RS 100 B Ex AISI 316 woc**/AISI 316	48-70	1.890-2.756	100 x 83	3.937 x 3.268	100	2.0 4.504	EXRSB0100102121
	RS 125 B Ex AISI 316 woc**/AISI 316	66-98	2.598-3.858	125 x 83	4.921 x 3.268	125	2.7 6.025	EXRSB0125102121
	RS 150 B Ex AISI 316 woc**/AISI 316	93-119	3.661-4.685	150 x 85	5.906 x 3.346	150	3.2 7.012	EXRSB0150002121

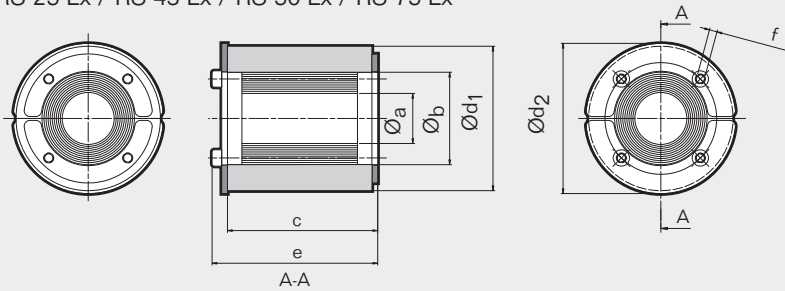
* More information about SLFRS sleeves on page 73

** woc = without core

RS Ex seal, technical information

Bague RS, informations techniques | RS Ex Stopfen, technische Daten | Sello RS Ex, información técnica |
 Passaggio circolare RS Ex, informazioni tecniche

RS 25 Ex / RS 43 Ex / RS 50 Ex / RS 75 Ex

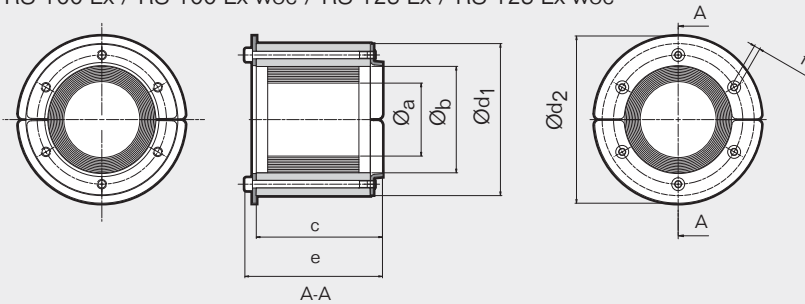


Note: All dimensions are nominal values
 N.B. : toutes les dimensions sont nominales
 Achtung: alle angegebenen Maße sind Nominalwerte
 Nota: Todas las dimensiones son valores nominales
 Nota: tutte le dimensioni sono valori nominali

	RS 25		RS 43		RS 50		RS 75	
Pos	(mm)	(in)	(mm)	(in)	(mm)	(in)	(mm)	(in)
c	40	1.575	78	3.071	78	3.071	78	3.071
e	44	1.732	85	3.346	85	3.346	85	3.346
f	*	*	**	**	**	**	**	**
Øa	3.6	0.142	4	0.157	8	0.315	26	1.024
Øb	12	0.472	23	0.906	30	1.181	48	1.890
Ød1	25	0.984	43	1.693	50	1.969	75	2.953
Ød2	30	1.181	53	2.087	60	2.362	78	3.071

* SW2.5 mm (4x) / SW0.098" (4x) ** SW4 mm (4x) / SW0.157" (4x)

RS 100 Ex / RS 100 Ex woc / RS 125 Ex / RS 125 Ex woc

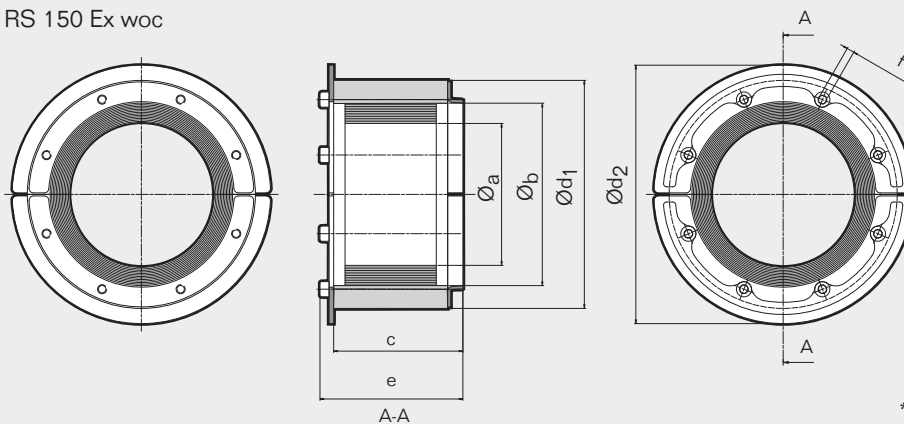


	RS 100 (woc)		RS 125 (woc)	
Pos	(mm)	(in)	(mm)	(in)
c	83	3.268	83	3.268
e	90	3.543	92	3.622
f	***	***	****	****
Øa	48	1.890	66	2.598
Øb	70	2.756	98	3.858
Ød1	100	3.937	125	4.921
Ød2	110	4.331	145	5.709

*** SW4 mm (6x) / SW0.157" (6x)

**** SW5 mm (6x) / SW0.197" (6x)

RS 150 Ex woc



	RS 150 woc	
Pos	(mm)	(in)
c	85	3.346
e	94	3.700
f	*****	*****
Øa	93	3.661
Øb	119	4.685
Ød1	150	5.906
Ød2	170	6.693

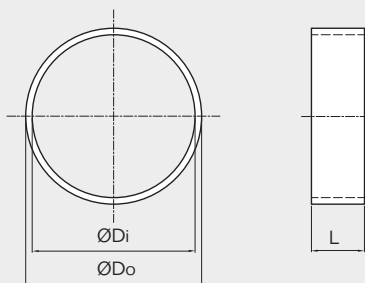
***** SW5 mm (8x) / SW0.197" (8x)

Sleeves, technical information

Douilles, informations techniques » Mantelrohre, technische Daten » Collarines, información técnica » Manicotti, informazioni tecniche

Without flange

Primed mild steel/acid-proof AISI 316

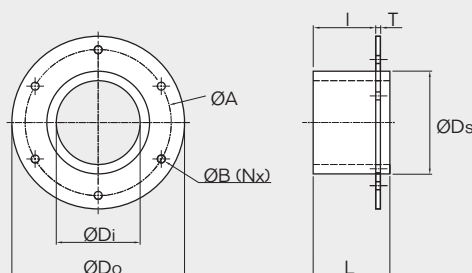


	SLRS 25		SLRS 43		SLRS 50		SLRS 75	
Pos	(mm)	(in)	(mm)	(in)	(mm)	(in)	(mm)	(in)
ØDo	34	1,339	52	2,047	63	2,480	89	3,504
ØDi	25,5	1,004	44	1,732	51	2,008	76,5	3,012
L	35	1,378	65	2,559	65	2,559	65	2,559

	SLRS 100		SLRS 125		SLRS 150	
Pos	(mm)	(in)	(mm)	(in)	(mm)	(in)
ØDo	114	4,488	140	5,512	164	6,457
ØDi	101	3,976	126	4,961	151	5,945
L	65	2,559	65	2,559	65	2,559

With flange

Primed mild steel/acid-proof AISI 316



	SLFRS 25		SLFRS 43		SLFRS 50		SLFRS 75		SLFRS 100		SLFRS 125		SLFRS 150	
Pos	(mm)	(in)	(mm)	(in)	(mm)	(in)	(mm)	(in)	(mm)	(in)	(mm)	(in)	(mm)	(in)
ØDo	96	3,780	110	4,331	140	5,512	165	6,496	195	7,677	213	8,386	236	9,291
ØDi	25,5	1,004	44	1,732	51	2,008	76	3,012	101	3,976	126	4,961	151	5,945
ØB	9	0,354	9	0,354	9	0,354	9	0,354	9	0,354	9	0,354	9	0,354
(Nx)	4x		4x		4x		4x		6x		6x		6x	
ØA	72	2,835	80	3,150	110	4,331	135	5,351	165	6,496	183	7,205	206	8,110
L	35	1,378	35	1,378	65	2,559	65	2,559	65	2,559	65	2,559	65	2,559
I	24	0,944	24	0,944	53	2,086	53	2,086	53	2,086	53	2,086	53	2,086
ØDs	34	1,339	52	2,047	63	2,480	89	3,504	114	4,488	140	5,512	164	6,457
T	3	0,118	3	0,118	4	0,157	4	0,157	4	0,157	4	0,157	4	0,157